



Barcode: 5060452080444

tuffbench™

Product code: BH10

- » Durable timber work surface that folds down for easy storage.
- » Folding legs secured with a chain when shut.
- » Ideal for fitting a chain vice and engineers vice to.



Product features



Collapsible



Stackable



No detachable parts



Working load limit 300kg

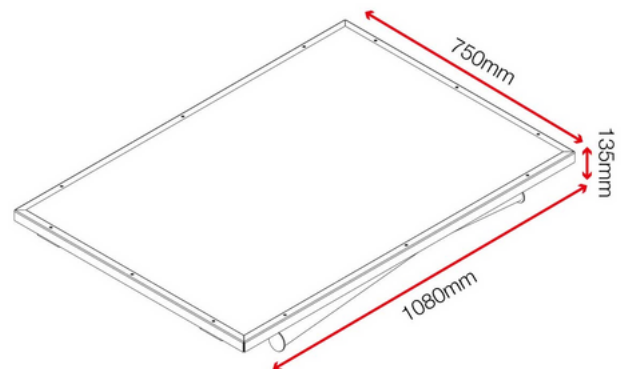


Suitable for site

Product specifications

Weight	28kg
Colour	Jet black: RAL 9005, natural timber
Finished coating	Powder coated steel and compressed timber work surface
Material & thickness	Top 25mm and tube 36mm steel and timber
Quantity of keys	Not applicable
Does it have storage	No
How are castors fitted?	Bolted on

Dimensions



Optional extras



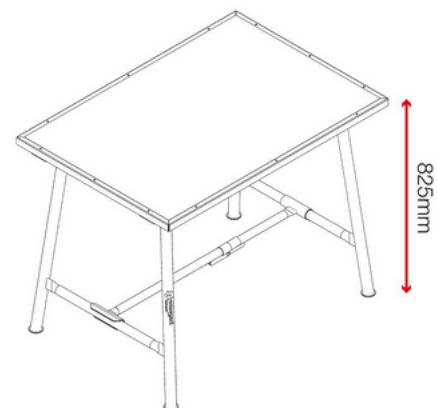
Engineers vice CV6



Chain vice CV4



Handle & wheel kit BH10-HW





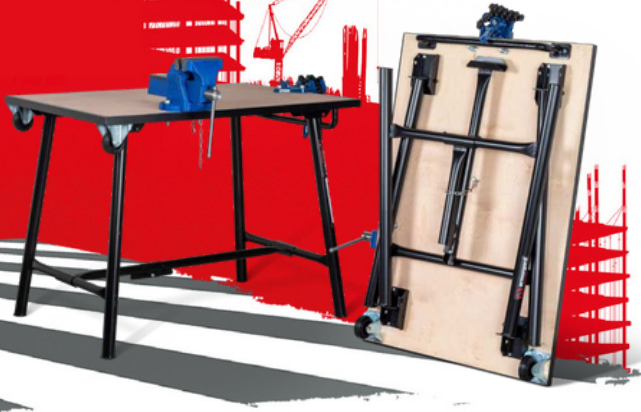
Barcode: 5060452081731

tuffbench™

with handle, wheel & vices fitted

Product code: BH10-HWVF

- » Durable timber work surface that folds down for easy storage.
- » Fitted with wooden top, chain vice and engineers vice.
- » Folding legs secured with a chain when shut.



Product features



Collapsible



Stackable



Working load limit



Standard 80mm castors

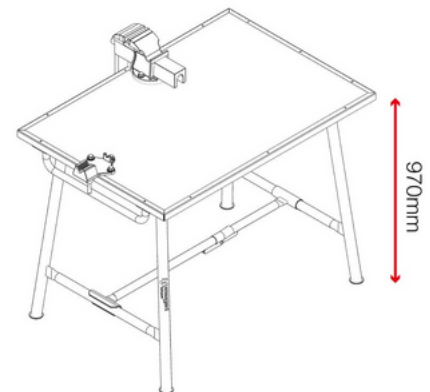
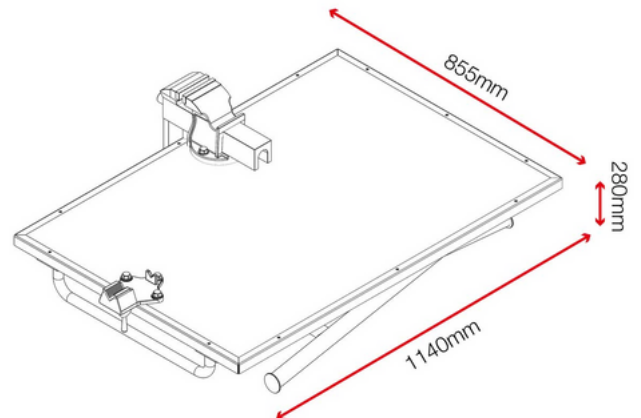


Suitable for site

Product specifications

Weight	58kg
Colour	Jet black: RAL 9005, natural timber
Finished coating	Powder coated steel and compressed timber work surface
Material & thickness	N/A steel and timber
Quantity of keys	Not applicable
Does it have storage	No
How are castors fitted?	Bolted on

Dimensions



Related products



Mobile TuffBench MBH12



TuffBench BH10



TuffBank TB2



CuttingStation SS7



Barcode: 5060452081694

tuffbench™

with handle and wheels fitted

Product code: BH10-HWF

- » Durable timber work surface that folds down for easy storage.
- » Wheels and handle for simple transportation.
- » Folding legs secured with a chain when shut.



Product features



Collapsible



Stackable



Working load limit
300kg



Standard 80mm
castors

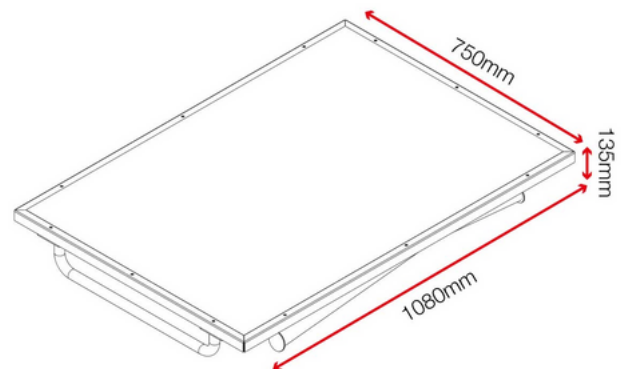


Suitable for site

Product specifications

Weight	31kg
Colour	Jet black: RAL 9005, natural timber
Finished coating	Powder coated steel and compressed timber work surface
Material & thickness	Top 25mm and tube 36mm steel and timber
Quantity of keys	Not applicable
Does it have storage	No
How are castors fitted?	Bolted on

Dimensions



Optional extras



Engineers vice CV6



Chain vice CV4

