



Barcode: 5060452080833

Version: v100.1

safestor™

Product code: HFC4

- » Hazardous storage cupboard for storing flammables or chemicals.
- » Liquid-tight sump to contain spillages.
- » Adjustable feet ensures unit remains level on uneven ground.



Product features



COSHH compliant



Sump capacity



UDL per shelf



Fire resistant



Safety signage

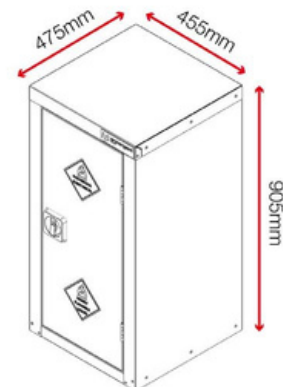


Cam lock

Product specifications

| | |
|----------------------------|---|
| Weight | 31kg |
| Colour | Traffic yellow: RAL 1023 |
| Suitable for | Indoor storage of flammables or chemicals |
| Finished coating | Powder coated |
| Material & thickness | 0.9mm steel |
| Quantity of keys | 2 keys |
| How are castors fitted? | Not applicable |
| Other sizes available | 8 other sizes |
| Ventilation | No |
| Qty of shelves as standard | 1 shelf |

Dimensions - External dimensions includes protrusions



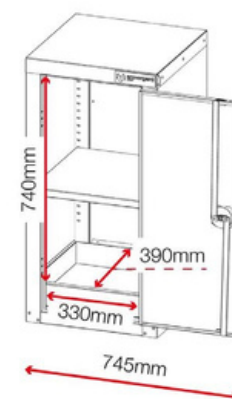
Optional extras



Stand HCS1



SafeStor shelf



Disclaimer: all dimensions and weights are approximate



Barcode: 5060452080840

Version: v100.1

safestor™

Product code: HFC5

- » Hazardous storage cupboard for storing flammables or chemicals.
- » Liquid-tight sump to contain spillages.
- » Adjustable feet ensures unit remains level on uneven ground.

Product features



COSHH compliant



Sump capacity



UDL per shelf



Fire resistant



Safety signage

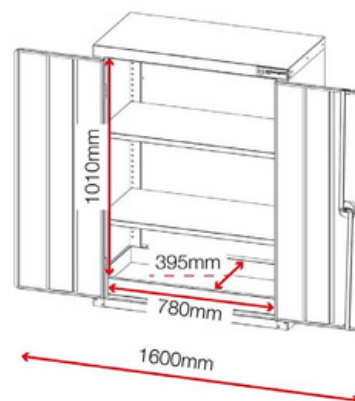
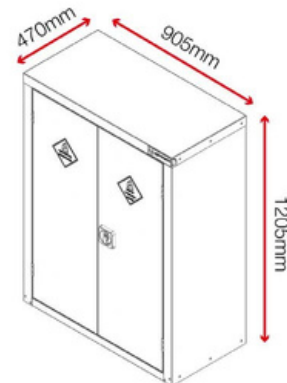


Cam lock

Product specifications

| | |
|----------------------------|---|
| Weight | 41kg |
| Colour | Traffic yellow: RAL 1023 |
| Suitable for | Indoor storage of flammables or chemicals |
| Finished coating | Powder coated |
| Material & thickness | 0.9mm steel |
| Quantity of keys | 2 keys |
| How are castors fitted? | Not applicable |
| Other sizes available | 8 other sizes |
| Ventilation | No |
| Qty of shelves as standard | 2 shelves |

Dimensions - External dimensions includes protrusions



Optional extras



Stand HCS2



SafeStor shelf

Disclaimer: all dimensions and weights are approximate



Barcode: 5060452080857

Version: v100.1

safestor™

Product code: HFC6

- » Hazardous storage cupboard for storing flammables or chemicals.
- » Liquid-tight sump to contain spillages.
- » Adjustable feet ensures unit remains level on uneven ground.

Product features



COSHH compliant



Sump capacity



UDL per shelf



Fire resistant



Safety signage

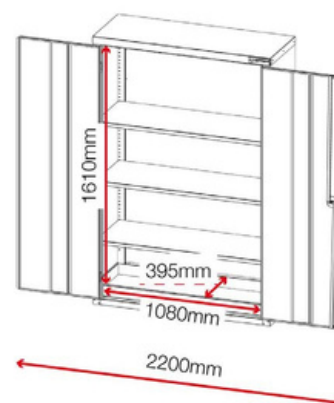
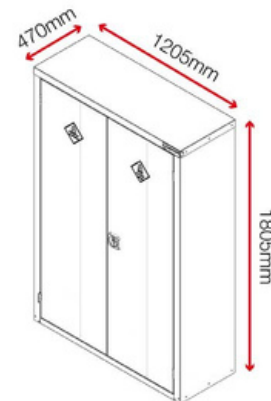


Cam lock

Product specifications

| | |
|----------------------------|---|
| Weight | 68kg |
| Colour | Traffic yellow: RAL 1023 |
| Suitable for | Indoor storage of flammables or chemicals |
| Finished coating | Powder coated |
| Material & thickness | 0.9mm steel |
| Quantity of keys | 2 keys |
| How are castors fitted? | Not applicable |
| Other sizes available | 8 other sizes |
| Ventilation | No |
| Qty of shelves as standard | 3 shelves |

Dimensions - External dimensions includes protrusions



Optional extras



SafeStor shelf

Disclaimer: all dimensions and weights are approximate



Barcode: 5060452080864

Version: v100.1

safestor™

Product code: HFC7

- » Hazardous storage cupboard for storing flammables or chemicals.
- » Liquid-tight sump to contain spillages.
- » Adjustable feet ensures unit remains level on uneven ground.

Product features



COSHH compliant



Sump capacity



UDL per shelf



Fire resistant



Safety signage

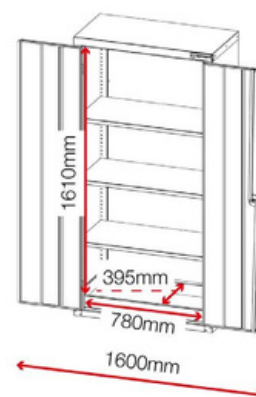
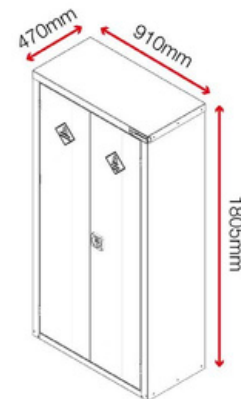


Cam lock

Product specifications

| | |
|----------------------------|---|
| Weight | 55kg |
| Colour | Traffic yellow: RAL 1023 |
| Suitable for | Indoor storage of flammables or chemicals |
| Finished coating | Powder coated |
| Material & thickness | 0.9mm steel |
| Quantity of keys | 2 keys |
| How are castors fitted? | Not applicable |
| Other sizes available | 8 other sizes |
| Ventilation | No |
| Qty of shelves as standard | 3 shelves |

Dimensions - External dimensions includes protrusions



Optional extras



SafeStor shelf

Disclaimer: all dimensions and weights are approximate



Barcode: 5060452080871

Version: v100.1

safestor™

Product code: HMC1

- » Hazardous storage cupboard for storing flammables or chemicals.
- » Liquid-tight sump to contain spillages.
- » Adjustable feet ensures unit remains level on uneven ground.



Product features



COSHH compliant



Sump capacity



UDL per shelf



Fire resistant



Safety signage



Cam lock

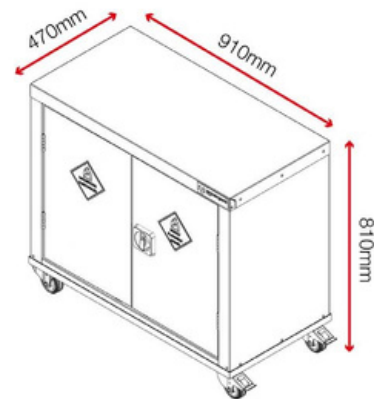


Standard 80mm castors

Product specifications

| | |
|----------------------------|---|
| Weight | 26kg |
| Colour | Traffic yellow: RAL 1023 |
| Suitable for | Indoor storage of flammables or chemicals |
| Finished coating | Powder coated |
| Material & thickness | 0.9mm steel |
| Quantity of keys | 2 keys |
| How are castors fitted? | Bolted on |
| Other sizes available | 8 other sizes |
| Ventilation | No |
| Qty of shelves as standard | 1 shelf |

Dimensions - External dimensions includes protrusions



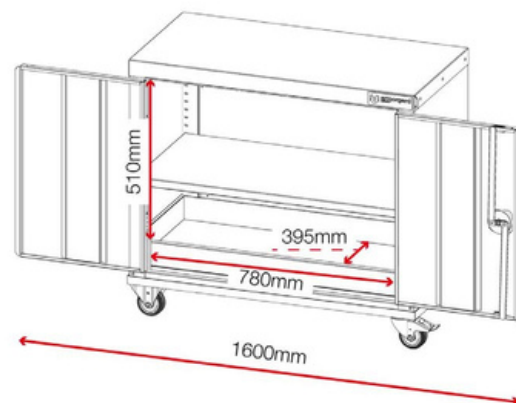
Optional extras



Stand HCS2



SafeStor shelf



Disclaimer: all dimensions and weights are approximate



Barcode: 5060452080888

Version: v100.1

safestor™

Product code: HMC2

- » Hazardous storage cupboard for storing flammables or chemicals.
- » Liquid-tight sump to contain spillages.
- » Adjustable feet ensures unit remains level on uneven ground.

Product features



COSHH compliant



Sump capacity



UDL per shelf



Fire resistant



Safety signage



Cam lock

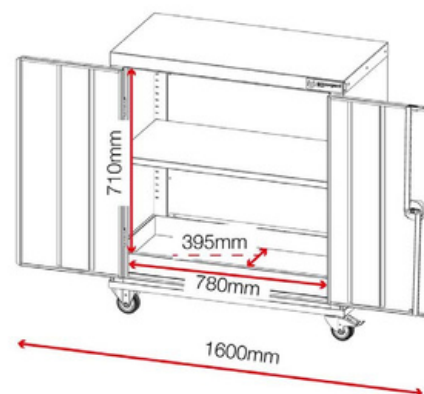
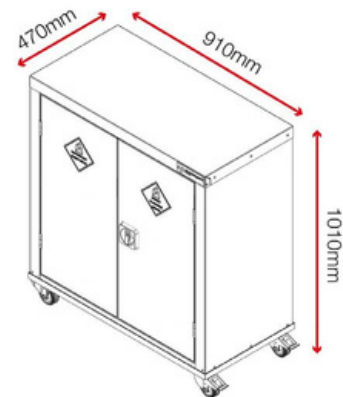


Standard 80mm castors

Product specifications

| | |
|----------------------------|---|
| Weight | 33kg |
| Colour | Traffic yellow: RAL 1023 |
| Suitable for | Indoor storage of flammables or chemicals |
| Finished coating | Powder coated |
| Material & thickness | 0.9mm steel |
| Quantity of keys | 2 keys |
| How are castors fitted? | Bolted on |
| Other sizes available | 8 other sizes |
| Ventilation | No |
| Qty of shelves as standard | 1 shelf |

Dimensions - External dimensions includes protrusions



Optional extras



Stand HCS3



SafeStor shelf

Disclaimer: all dimensions and weights are approximate



Barcode: 5060452080802

Version: v100.1

safestor™

Product code: HFC1

- » Hazardous storage cupboard for storing flammables or chemicals.
- » Liquid-tight sump to contain spillages.
- » Adjustable feet ensures unit remains level on uneven ground.



Product features



COSHH compliant



Sump capacity



UDL per shelf



Fire resistant



Safety signage

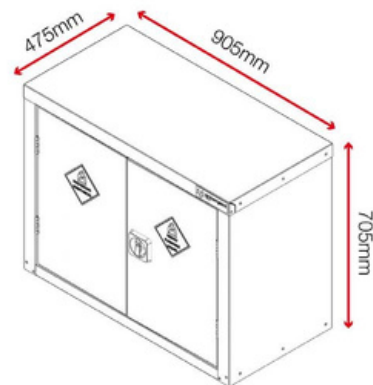


Cam lock

Product specifications

| | |
|----------------------------|---|
| Weight | 21kg |
| Colour | Traffic yellow: RAL 1023 |
| Suitable for | Indoor storage of flammables or chemicals |
| Finished coating | Powder coated |
| Material & thickness | 0.9mm steel |
| Quantity of keys | 2 keys |
| How are castors fitted? | Not applicable |
| Other sizes available | 8 other sizes |
| Ventilation | No |
| Qty of shelves as standard | 1 shelf |

Dimensions - External dimensions includes protrusions



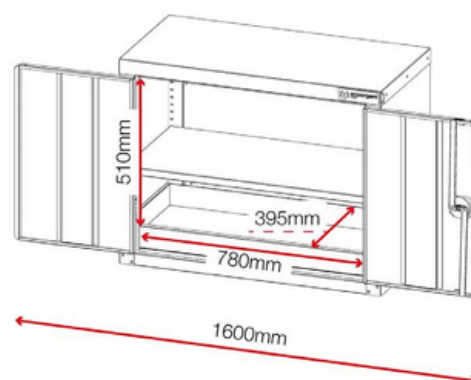
Optional extras



Stand HCS2



SafeStor shelf



Disclaimer: all dimensions and weights are approximate



Barcode: 5060452080819

Version: v100.1

safestor™

Product code: HFC2

- » Hazardous storage cupboard for storing flammables or chemicals.
- » Liquid-tight sump to contain spillages.
- » Adjustable feet ensures unit remains level on uneven ground.



Product features



COSHH compliant



Sump capacity



UDL per shelf



Fire resistant



Safety signage

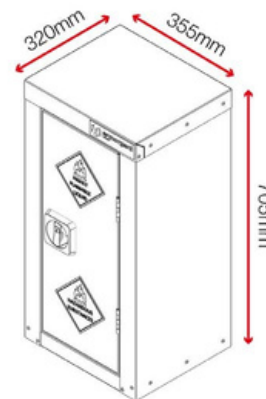


Cam lock

Product specifications

| | |
|----------------------------|---|
| Weight | 13kg |
| Colour | Traffic yellow: RAL 1023 |
| Suitable for | Indoor storage of flammables or chemicals |
| Finished coating | Powder coated |
| Material & thickness | 0.9mm steel |
| Quantity of keys | 2 keys |
| How are castors fitted? | Not applicable |
| Other sizes available | 8 other sizes |
| Ventilation | No |
| Qty of shelves as standard | 1 shelf |

Dimensions - External dimensions includes protrusions



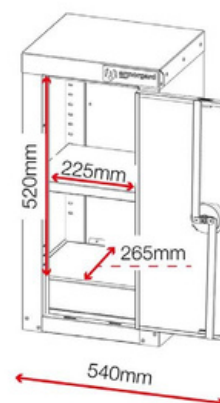
Optional extras



Stand HCS3



SafeStor shelf



Disclaimer: all dimensions and weights are approximate



Barcode: 5060452080826

Version: v100.1

safestor™

Product code: HFC3

- » Hazardous storage cupboard for storing flammables or chemicals.
- » Liquid-tight sump to contain spillages.
- » Adjustable feet ensures unit remains level on uneven ground.



Product features



COSHH compliant



Sump capacity



UDL per shelf



Fire resistant



Safety signage

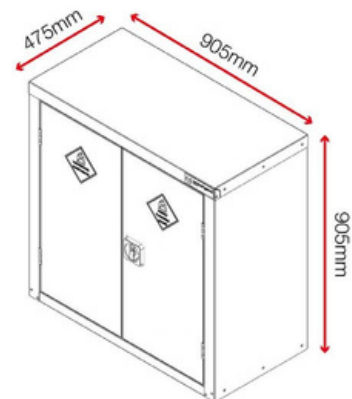


Cam lock

Product specifications

| | |
|----------------------------|---|
| Weight | 28kg |
| Colour | Traffic yellow: RAL 1023 |
| Suitable for | Indoor storage of flammables or chemicals |
| Finished coating | Powder coated |
| Material & thickness | 0.9mm steel |
| Quantity of keys | 2 keys |
| How are castors fitted? | Not applicable |
| Other sizes available | 8 other sizes |
| Ventilation | No |
| Qty of shelves as standard | 1 shelf |

Dimensions - External dimensions includes protrusions



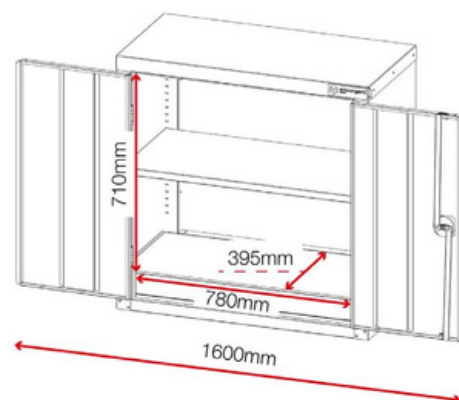
Optional extras



Stand HCS2



SafeStor shelf



Disclaimer: all dimensions and weights are approximate