



Barcode: 5060452081199

drumbank™

Product code: DB2

- » Enclosed safe storage for drums and other hazardous goods.
- » Fully welded sump with removable steel grid flooring.
- » Wide opening doors and lift up lid for ease of access.

Product features



5-lever deadlock



Gas strut (300N)



Forklift skids



COSHH compliant



Sump capacity 295L



Fire resistant

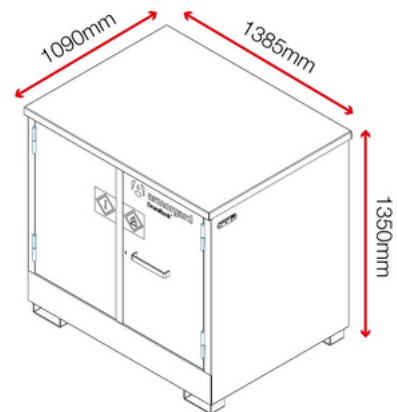


Safety signage

Product specifications

Weight	178kg
Colour	Gentian blue: RAL 5010
Suitable for	Outdoor storage of drums - 2 x 205L
Finished coating	Powder coated
Material & thickness	2mm steel
Quantity of keys	2 keys
How are castors fitted?	Not applicable
Other sizes available	1 other size
Ventilation	Yes
Qty of shelves as standard	Not applicable

Dimensions



Related products - Contact Armorgard to find out more



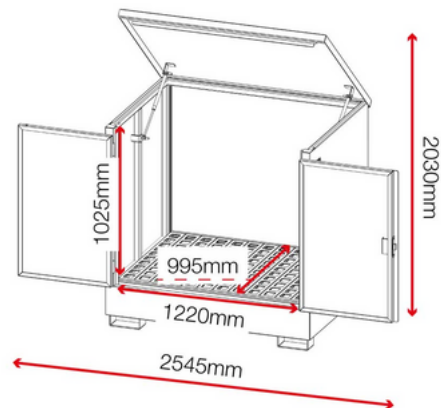
DrumBank DB4



DrumBank DBP2



DrumBank DB2S





Barcode: 5060452081205

drumbank™

Product code: DB4

- » Enclosed safe storage for drums and other hazardous goods.
- » Fully welded sump with removable steel grid flooring.
- » Wide opening doors and lift up lid for ease of access.



Product features



5-lever deadlock



Gas strut (450N)



Forklift skids



COSHH compliant



Sump capacity 485L



Fire resistant

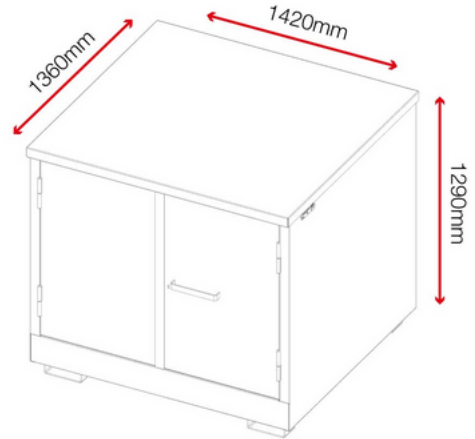


Safety signage

Product specifications

Weight	231kg
Colour	Gentian blue: RAL 5010
Suitable for	Outdoor storage of drums – 4 x 205L
Finished coating	Powder coated
Material & thickness	2mm steel
Quantity of keys	2 keys
How are castors fitted?	Not applicable
Other sizes available	1 other size
Ventilation	Yes
Qty of shelves as standard	Not applicable

Dimensions



Related products - Contact Armorgard to find out more



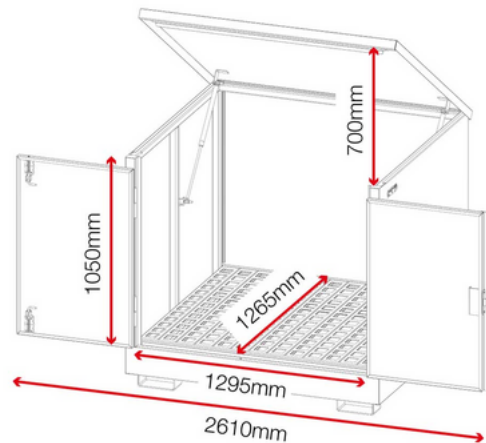
DrumBank DB2



DrumBank DBP4



DrumBank DB4S





Barcode: 5060452081212

drumbank pallet™

Product code: DBP2

- » Forkliftable sump pallet for drums and other hazardous goods.
- » Extra tough PVC construction.
- » Designed for storing up to 2 x 205 litre drums.



Product features



Forklift pockets



COSHH compliant



Safety signage

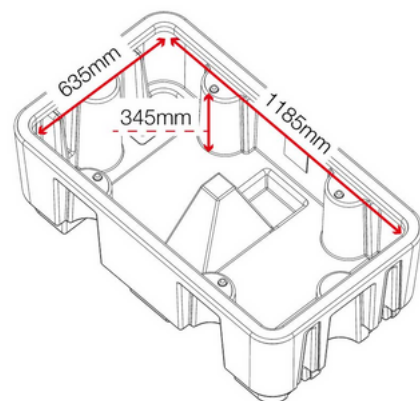
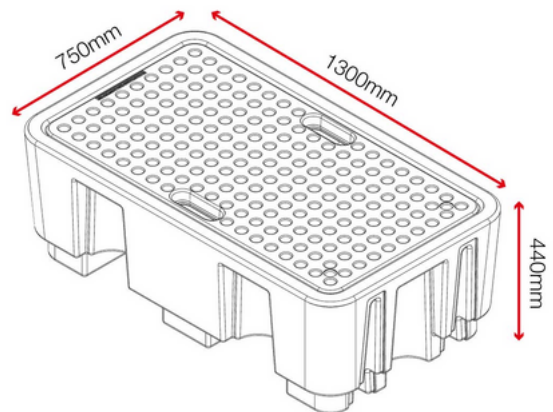


Sump capacity

Product specifications

Weight	20kg
Colour	Black
Suitable for	Outdoor storage of drums - 2 x 205L
Material & thickness	PVC
How are castors fitted?	Not applicable
Other sizes available	1 other size
Ventilation	No
Qty of shelves as standard	Not applicable

Dimensions



Related products - Contact Armorgard to find out more



DrumBank DBP4



DrumBank DB2



DrumBank DB2S



Barcode: 5060452081229

drumbank pallet™

Product code: DBP4

- » Forkliftable sump pallet for drums and other hazardous goods.
- » Extra tough PVC construction.
- » Designed for storing up to 4 x 205 litre drums.



Product features



Forklift pockets



COSH H compliant



Safety signage

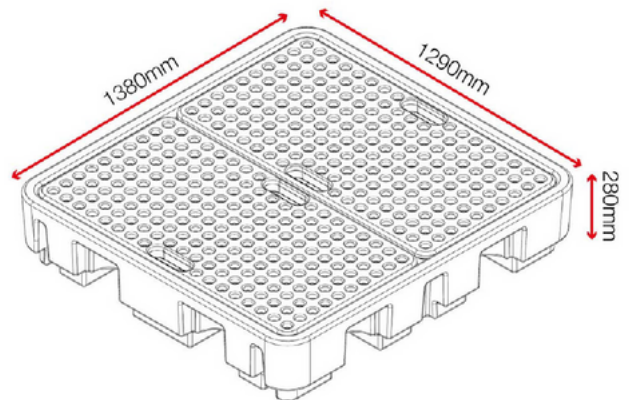


Sump capacity

Product specifications

Weight	32kg
Colour	Black
Suitable for	Outdoor storage of drums - 4 x 205L
Material & thickness	PVC
How are castors fitted?	Not applicable
Other sizes available	1 other size
Ventilation	No
Qty of shelves as standard	Not applicable

Dimensions



Related products - Contact Armorgard to find out more



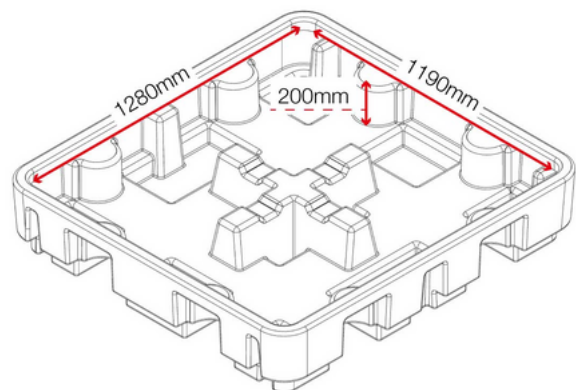
DrumBank DBP2



DrumBank DB4



DrumBank DB4S





Barcode: 5060452082202

drumbank™

Product code: DB4S

- » Enclosed unit for the safe storage of oil drums or fuel containers.
- » Fully welded sump with raised and removable steel grid flooring.
- » Half depth shelf for storage of items such as jerry cans & pumps.

Product features



2x 5-lever
deadlock



Forklift skids



Crane lifting eyes



COSHH
compliant



Sump capacity
370L



Fire resistant

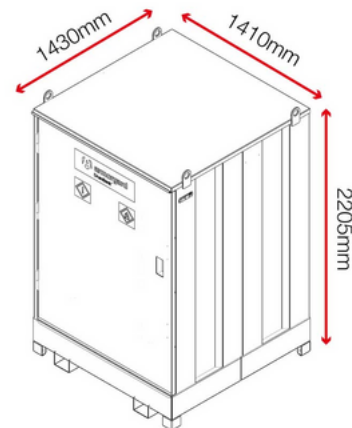


Safety signage

Product specifications

Weight	345kg
Colour	Black grey: RAL 7021
Suitable for	Outdoor storage of drums - 4 x 205L
Finished coating	Powder coated
Material & thickness	1.5mm and 2.5mm steel
Quantity of keys	3 keys
How are castors fitted?	Not applicable
Other sizes available	1 other size
Ventilation	Yes
Qty of shelves as standard	1 shelf

Dimensions



Related products - Contact Armorgard to find out more



DrumBank DB2S



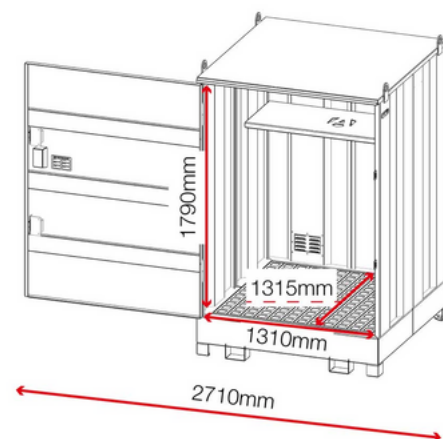
DrumBank DB4



DrumBank DBP4



DrumBank DBIBC1





Barcode: 5060452082196

drumbank™

Product code: DB2S

- » Enclosed unit for the safe storage of oil drums or fuel containers.
- » Fully welded sump with raised and removable steel grid flooring.
- » Half depth shelf for storage of items such as jerry cans & pumps.



Product features



2x 5-lever deadlock



Forklift skids



Crane lifting eyes



COSHH compliant



Sump capacity



Fire resistant

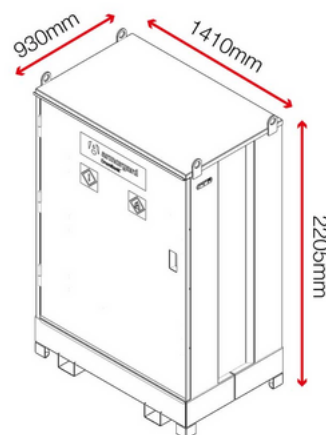


Safety signage

Product specifications

Weight	255kg
Colour	Black grey: RAL 7021
Suitable for	Outdoor storage of drums - 2 x 205L
Finished coating	Powder coated
Material & thickness	1.5mm and 2.5mm steel
Quantity of keys	3 keys
How are castors fitted?	Not applicable
Other sizes available	1 other size
Ventilation	Yes
Qty of shelves as standard	1 shelf

Dimensions



Related products - Contact Armorgard to find out more



DrumBank DB4S



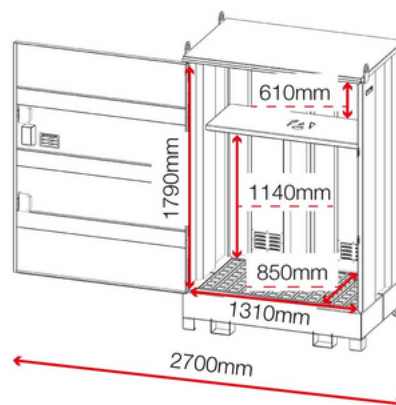
DrumBank DB2



DrumBank DBP2



DrumBank DBIBC1





Barcode: 5060452082226

drumbank™

Product code: DBIBC1

- » Enclosed unit for the safe storage of IBC containers or oil drums.
- » Fully welded sump with raised and removable steel grid flooring.
- » Wide opening doors and spacious interior for ease of access.



Product features



2x 5-lever
deadlock



Forklift skids



COSHH
compliant



Sump capacity
1100L



Fire resistant

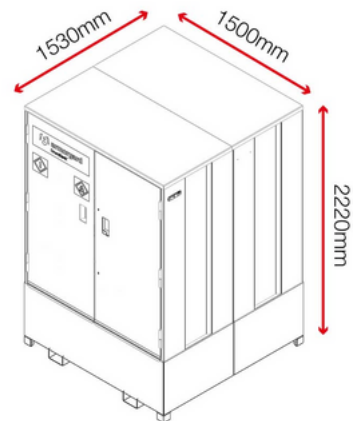


Safety signage

Product specifications

Weight	390kg
Colour	Black grey: RAL 7021
Suitable for	Outdoor storage of IBC containers
Finished coating	Powder coated
Material & thickness	2mm and 2.5mm steel
Quantity of keys	3 keys
How are castors fitted?	Not applicable
Other sizes available	No
Ventilation	Yes
Qty of shelves as standard	0 shelves

Dimensions



Related products - Contact Armorgard to find out more



DrumBank DB4S



DrumBank DB4



DrumBank DB4S

