



forma-stor coshh™

Product code: FR100-C

- » Quick-assembly modular storage for hazardous substances.
- » Heavy-duty open steel floor, allowing spillages to drain into the sump.
- » This unit arrives flat packed or assembled at additional cost.



Product features



2x 5-lever deadlock



Forklift pockets



Crane lifting eyes



COSHH compliant



Sump capacity



Collapsible



Stackable

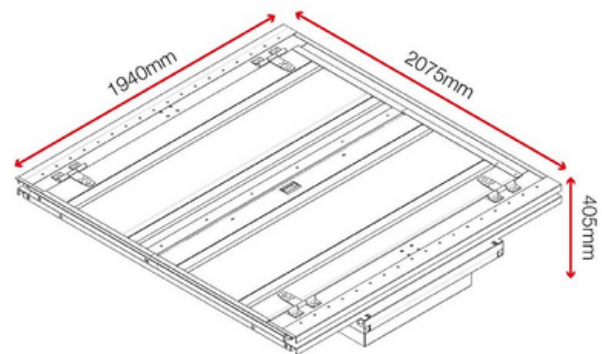


Fire resistant

Product specifications

Weight	277kg
Colour	Traffic red: RAL 3020
Suitable for	Outdoor storage of flammables or chemicals
Finished coating	Galvanised and powder coated
Material & thickness	1mm and 2mm steel
Quantity of keys	3 keys
How are castors fitted?	Not applicable
Other sizes available	3 other sizes
Ventilation	Yes
Qty of shelves as standard	0 shelves

Dimensions - External dimensions includes protrusions



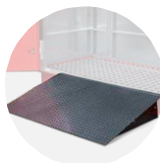
Optional extras



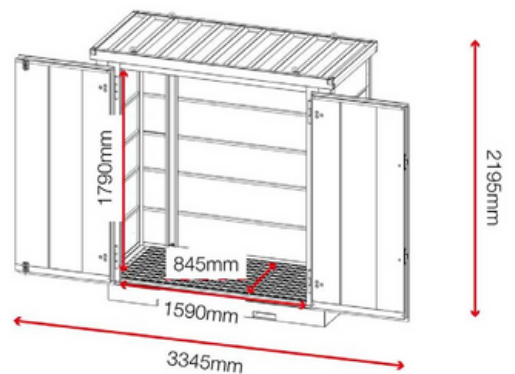
Shelf FRS2



BlokkaBar FRBL2



Ramp FRR4



Disclaimer: all dimensions and weights are approximate



forma-stor coshh™

Product code: FR200-C

- » Quick-assembly modular storage for hazardous substances.
- » Heavy-duty open steel floor, allowing spillages to drain into the sump.
- » This unit arrives flat packed or assembled at additional cost.



Product features



2x 5-lever deadlock



Forklift pockets



Crane lifting eyes



COSHH compliant



Sump capacity



Collapsible



Stackable

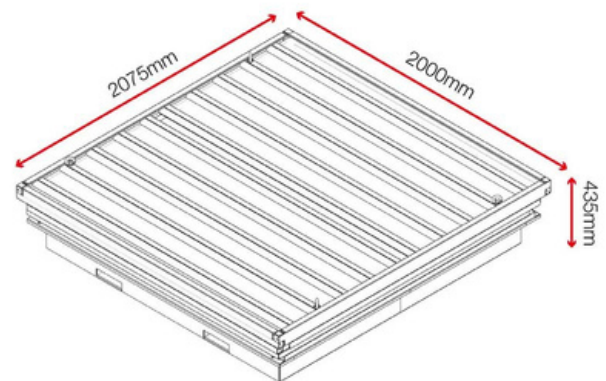


Fire resistant

Product specifications

Weight	415kg
Colour	Traffic red: RAL 3020
Suitable for	Outdoor storage of flammables or chemicals
Finished coating	Galvanised and powder coated
Material & thickness	1mm and 2mm steel
Quantity of keys	3 keys
How are castors fitted?	Not applicable
Other sizes available	3 other sizes
Ventilation	Yes
Qty of shelves as standard	0 shelves

Dimensions - External dimensions includes protrusions



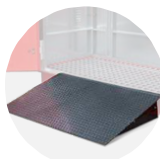
Optional extras



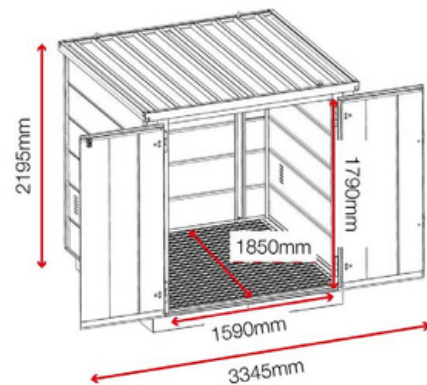
Shelf FRS2



BlokkaBar FRBL2



Ramp FRR4



Disclaimer: all dimensions and weights are approximate



forma-stor coshh™

Product code: FR300-C

- » Quick-assembly modular storage for hazardous substances.
- » Heavy-duty open steel floor, allowing spillages to drain into the sump.
- » This unit arrives flat packed or assembled at additional cost.



Product features



2x 5-lever deadlock



Forklift pockets



Crane lifting eyes



COSHH compliant



680L



Collapsible



Stackable

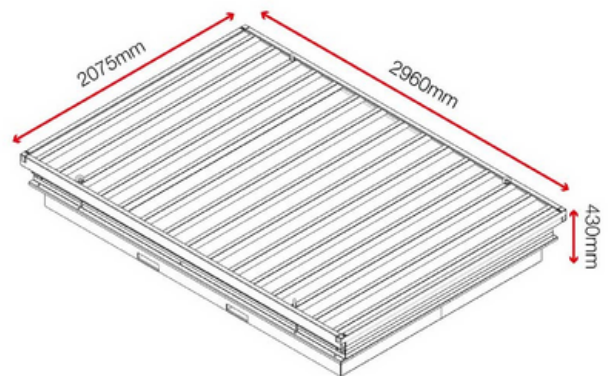


Fire resistant

Product specifications

Weight	553kg
Colour	Traffic red: RAL 3020
Suitable for	Outdoor storage of flammables or chemicals
Finished coating	Galvanised and powder coated
Material & thickness	1mm and 2mm steel
Quantity of keys	3 keys
How are castors fitted?	Not applicable
Other sizes available	3 other sizes
Ventilation	Yes
Qty of shelves as standard	0 shelves

Dimensions - External dimensions includes protrusions



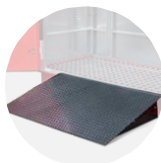
Optional extras



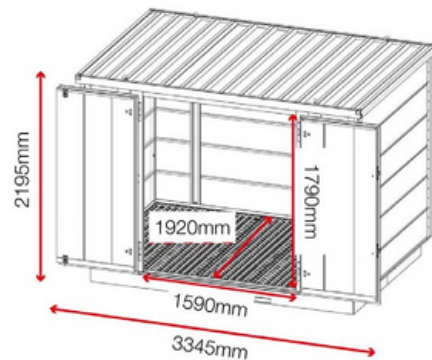
Shelf FRS2



BlokkaBar FRBL2



Ramp FRR4



Disclaimer: all dimensions and weights are approximate



forma-stor coshh™

Product code: FR400-C

- » Quick-assembly modular storage for hazardous substances.
- » Heavy-duty open steel floor, allowing spillages to drain into the sump.
- » This unit arrives flat packed or assembled at additional cost.



Product features



2x 5-lever deadlock



Forklift pockets



Crane lifting eyes



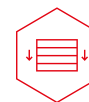
COSHH compliant



Sump capacity



Collapsible



Stackable

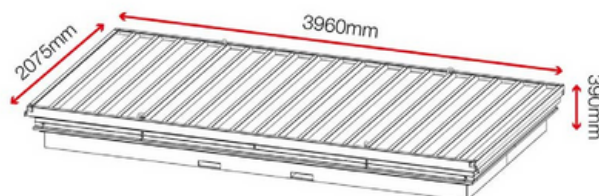


Fire resistant

Product specifications

Weight	663kg
Colour	Traffic red: RAL 3020
Suitable for	Outdoor storage of flammables or chemicals
Finished coating	Galvanised and powder coated
Material & thickness	1mm and 2mm steel
Quantity of keys	3 keys
How are castors fitted?	Not applicable
Other sizes available	3 other sizes
Ventilation	Yes
Qty of shelves as standard	0 shelves

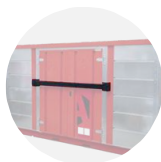
Dimensions - External dimensions includes protrusions



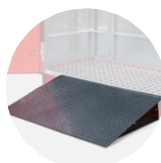
Optional extras



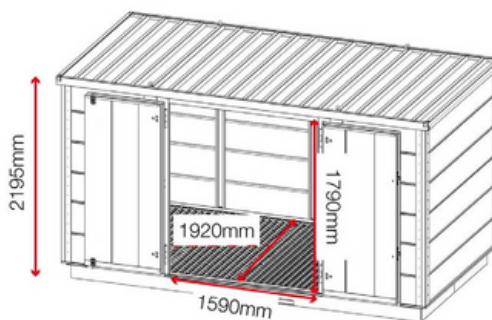
Shelf FRS2



BlokkaBar FRBL2



Ramp FRR4



Disclaimer: all dimensions and weights are approximate



Armorgard Forma-Stor™ Shelf FRS2



- This optional shelf fits in any Forma-Stor, allowing you to organise your materials and equipment quickly and easily.
- Substantial working load capacity of 200Kg (UDL).
- The shelf slots onto any 2m end panels of a Forma- Stor, with no fixings or fastenings required.
- All Forma-Stors can fit up to 5 shelves, except for the FR300-C and FR400-C which can both fit up to 10 shelves.

Product	Armorgard Forma-Stor™
Internal dimensions	Shelf FRS2 N/A
External dimensions (including protrusions)	1970x520x30mm
Weight (kg)	20
Colour	Pillar Box Red: RAL 3020
Finished coating	Powder coated steel
Material	Steel
Material thickness	2mm
Locking mechanism	N/A
Does it have forklift skids?	No
Does it have gas arms?	No
Newton loading of gas arms	N/A
Safety stay	N/A
Quantity of keys supplied	N/A
Optional extras available	N/A
Quantity of shelves as standard	N/A
Are castors standard or optional extra	N/A
How are the castors fitted?	N/A
Sump capacity	N/A
Safety signage	N/A
Fire resistant?	N/A





Armorgard Forma-Stor™ BlokkaBar FRBL2



- The Armorgard BlokkaBar is designed to enhance security on the Armorgard Forma-Stor range of secure walk-in containers.
- The BlokkaBar ensures that Forma-Stors are virtually impregnable by barring the door with over 10mm of steel.
- Due to the design of the BlokkaBar we're unable to replace your key if it is lost or damaged.

Product	Armorgard Forma-Stor™ BlokkaBar
Internal dimensions	FRBL2 N/A
External dimensions (including protrusions)	1960x170x110mm
Weight (kg)	23
Colour	Black Grey: RAL 7021
Finished coating	Powder coated steel
Material	Steel
Material thickness	5mm
Locking mechanism	Armoured double-slot chain lock
Does it have forklift skids?	No
Does it have gas arms?	No
Newton loading of gas arms	N/A
Safety stay	N/A
Quantity of keys supplied	2 keys
Optional extras available	N/A
Quantity of shelves as standard	N/A
Are castors standard or optional extra	N/A
How are the castors fitted?	N/A
Sump capacity	N/A
Safety signage	N/A
Fire resistant?	N/A





Data Sheet | Model:

Armorgard Forma-Stor™ Ramp FRR4



- Strong pedestrian ramp to fit our Forma-Stor range of flat-pack secure containers.
- Anti-slip studded surface for increased safety, ideal when wheeling in trolleys, sack trucks, drum carriers, etc.
- The ramp is adjustable to 2 heights to enable it to fit either the Forma-Stor Tool or Forma-Stor COSHH.
- Powder coated finish for maximum durability.
- Max loading of 1000kg UDL.

Product	Armorgard Forma-Stor™
Internal dimensions	Ramp FRR4 N/A
External dimensions (including protrusions)	1185x750x100-195mm
Weight (kg)	37
Colour	Black Grey: RAL 7021
Finished coating	Powder coated steel
Material	Steel
Material thickness	2mm & 3mm
Locking mechanism	N/A
Does it have forklift skids?	N/A
Does it have gas arms?	N/A
Newton loading of gas arms	N/A
Safety stay	N/A
Quantity of keys supplied	N/A
Optional extras available	N/A
Quantity of shelves as standard	N/A
Are castors standard or optional extra	N/A
How are the castors fitted?	N/A
Sump capacity	N/A
Safety signage	N/A
Fire resistant?	N/A

