



Barcode: 5060452082066

chemcube cabinet

Product code: CCC1

- » Wall mountable cabinet storing pesticides and other chemicals.
- » Ventilated to help prevent the build-up of fumes or gases.
- » Bunded safety feature controls any possible spillages.

Product features



COSHH compliant



Sump capacity



No detachable parts



Safety signage



Up to 3 shelves

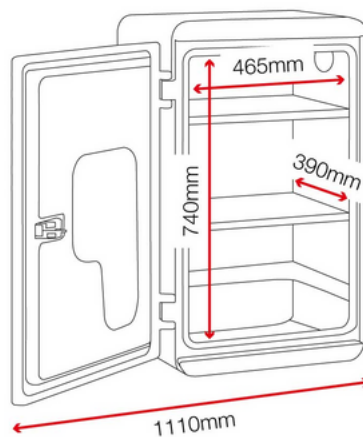
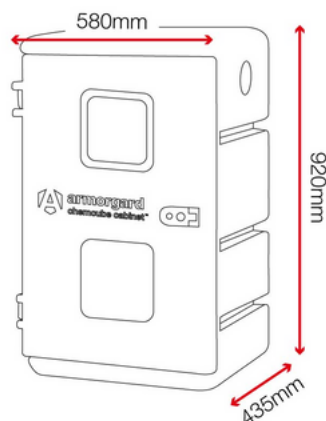


Cam lock

Product specifications

Weight	15kg
Colour	Blue and yellow
Suitable for	Outdoor storage of chemicals
Material & thickness	Double layer polyethylene
Quantity of keys	2 keys
How are castors fitted?	Not applicable
Other sizes available	2 other sizes
Ventilation	Yes
Qty of shelves as standard	2 shelves

Dimensions



Related products - Contact Armorgard to find out more



ChemBank CB2



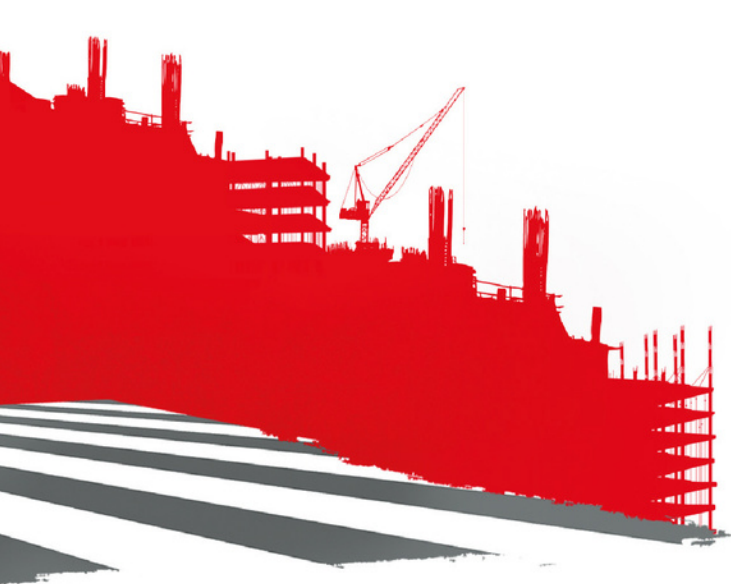
ChemBank CBC4



TransBank Chem TRB4C



TransBank Chem TRB2C



Barcode: 5060452082073

chemcube cabinet™

Product code: CCC2

- » Free standing cabinet for storing pesticides and other chemicals.
- » Ventilated to help prevent the build-up of fumes or gases.
- » Bunded safety feature controls any possible spillages.

Product features



COSHH compliant



Sump capacity



No detachable parts



Safety signage



Up to 3 shelves

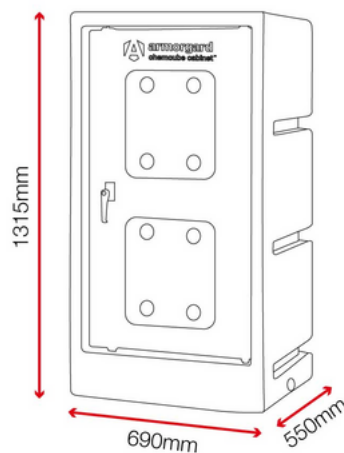


Cam lock

Product specifications

Weight	27kg
Colour	Blue and yellow
Suitable for	Outdoor storage of chemicals
Material & thickness	Double layer polyethylene
Quantity of keys	2 keys
How are castors fitted?	Not applicable
Other sizes available	2 other sizes
Ventilation	Yes
Qty of shelves as standard	2 shelves

Dimensions



Related products - Contact Armorgard to find out more



ChemBank CB2



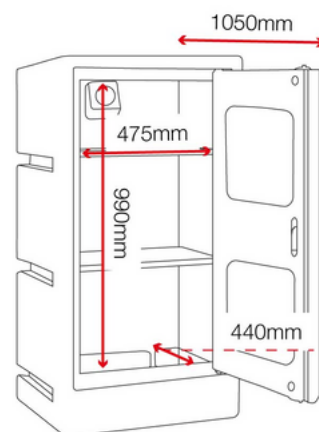
ChemBank CBC4



TransBank Chem TRB4C



TransBank Chem TRB2C





Barcode: 5060452080925

chemcube cabinet

Product code: CCC3

- » Free standing cabinet for storing pesticides and other chemicals.
- » Ventilated to help prevent the build-up of fumes or gases.
- » Bunded safety feature controls any possible spillages.



Product features



COSHH compliant



Sump capacity



No detachable parts



Safety signage



Up to 3 shelves

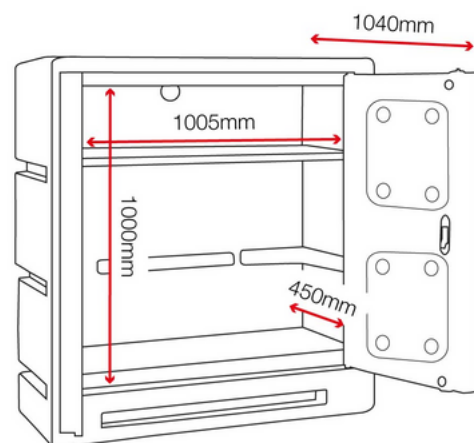
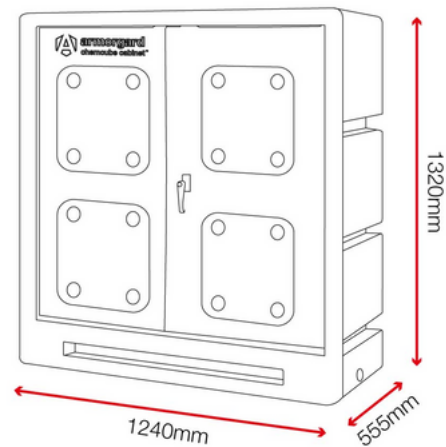


Cam lock

Product specifications

Weight	47kg
Colour	Blue and yellow
Suitable for	Outdoor storage of chemicals
Material & thickness	Double layer polyethylene
Quantity of keys	2 keys
How are castors fitted?	Not applicable
Other sizes available	2 other sizes
Ventilation	Yes
Qty of shelves as standard	2 shelves

Dimensions



Related products - Contact Armorgard to find out more



ChemBank CB2



ChemBank CBC4



TransBank Chem TRB4C



TransBank Chem TRB2C